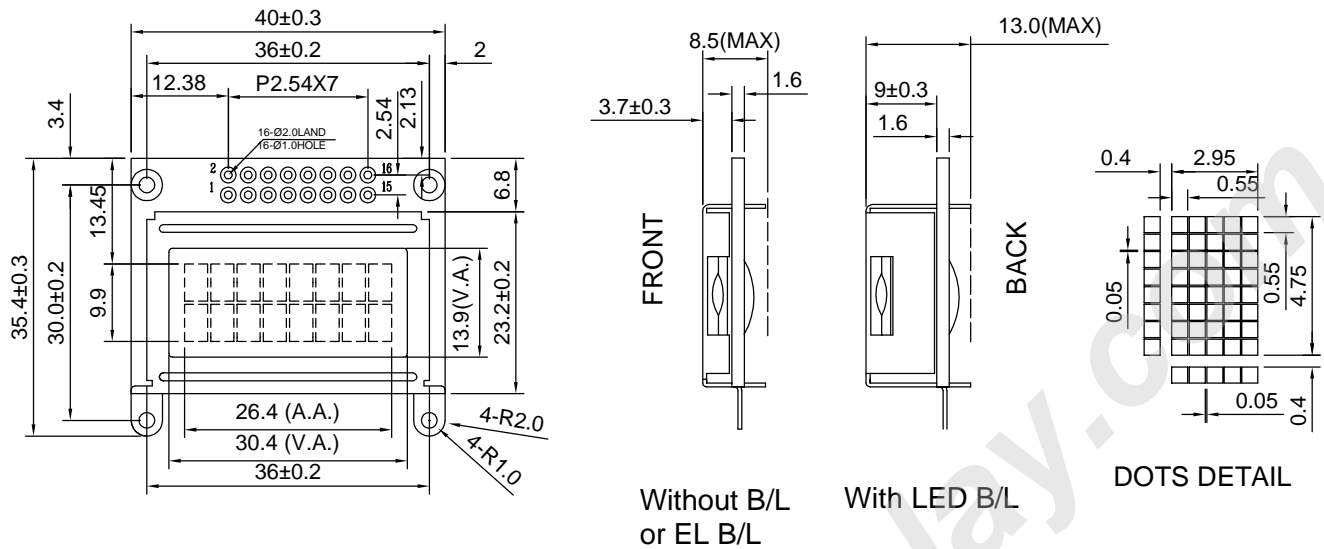


Dimension Drawing



TOLERANCES UNLESS OTHERWISE STATED
 X.X ±0.20 X.XX ±0.10 UNIT: mm

Feature:

- 2-line x8 characters display; 5x8 dots with cursor
- Built-in controller(ST7066U or equivalent)
- +5V power supply(also available for +3.3V)
- 1/16 Duty cycle
- BTN, HTN, STN or FSTN Mode
- Match all kind colors of LED back light
- ROHS compliant

Interface Pin Connections

PIN NO.	Symbol	Function
1	VSS	GND
2	VDD	+5V or +3.3V
3	V0	Contrast adjustment
4	RS	H/L Register select signal
5	R/W	H/L Read/Write signal
6	E	H/L Enable signal
7	DB0	H/L Data bus line
8	DB1	H/L Data bus line
9	DB2	H/L Data bus line
10	DB3	H/L Data bus line
11	DB4	H/L Data bus line
12	DB5	H/L Data bus line
13	DB6	H/L Data bus line
14	DB7	H/L Data bus line
15	A	Power supply for B/L(LED+)
16	K	Power supply for B/L(LED-)

Mechanical Data

Item	Standard	Unit
Module dimension	40.0 x 35.4	mm
Viewing area	30.4 x 13.9	mm
Mounting hole	30.9 x 36.0	mm
Character size	2.95 x 4.75	mm

Absolute Maximum Rating

Item	Symbol	Standard			Unit
		Min	Typ	Max	
Power supply	VDD-VSS	-0.3	---	7.0	V
Input voltage	VI	-0.3	---	VDD	

Electronical Characteristics

Item	Symbol	Condition	Standard			Unit	
			Min	Typ	Max		
Input voltage	VDD	+5.0V	4.5	5.0	5.5	V	
		+3.3V	2.7	3.3	4.5	V	
Supply current	I _{DD}	VDD=5V	----	0.2	0.5	mA	
Recommended LCD driving voltage for normal temp version module	VDD-V0 (VDD=5V)	-20°C	4.9	5.2	5.5	V	
		0°C	4.5	4.8	5.1		
		25°C	4.1	4.5	4.8		
		50°C	3.8	5.0	4.4		
LED forward voltage	VF	25°C	----	4.2	4.6	V	
LED forward current	IF	25°C	Array	----	70	----	mA
			Edge	----	15	20	
EL power supply	I _{EL}	V _{EL} =110V AC 400Hz	----	----	5.0	mA	

Display Character Address Code:

Display position

1 2 3 4 5 6 7 8

DDRAM address 00 01 02 -- -- -- 07H

DDRAM address 40 41 42 -- -- -- 47H