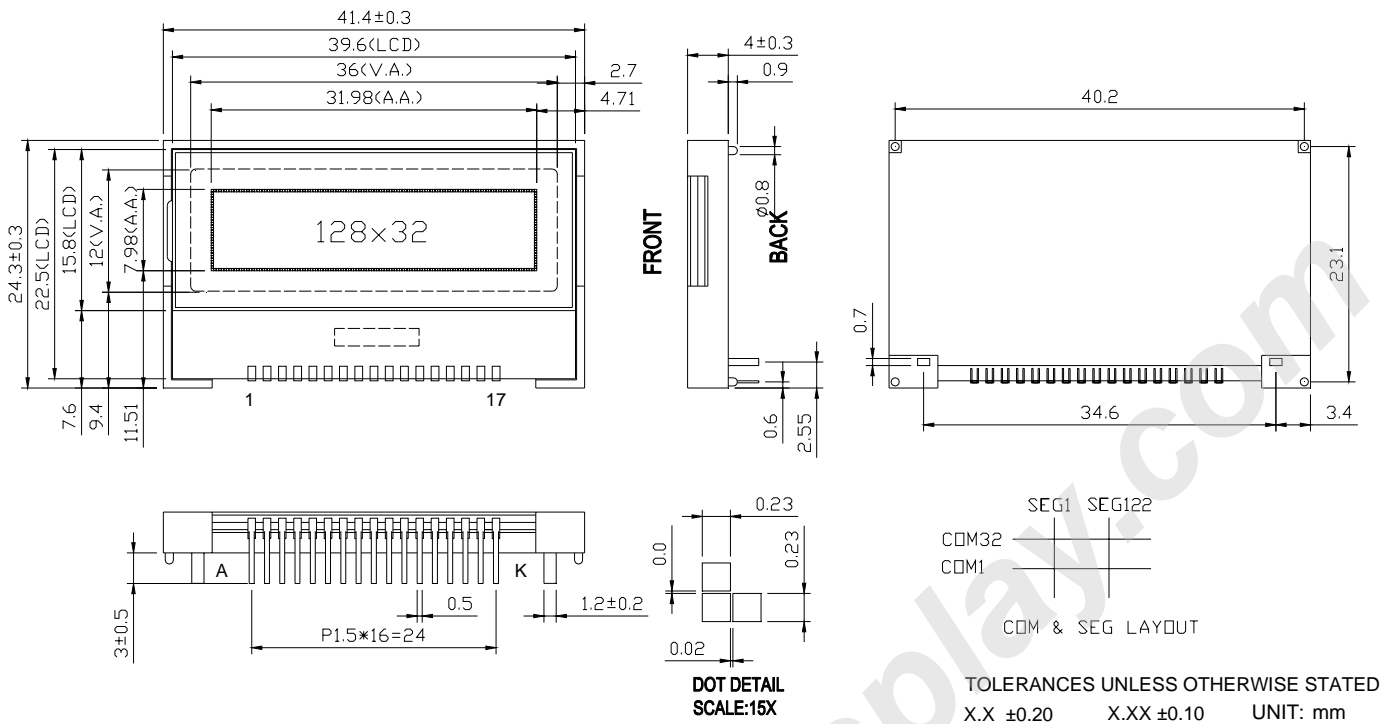


Dimension Drawing



Feature:

1. 128 x 32 dots graphic display
2. Built-in controller ST7565R
3. +3.3 V power supply
4. 1/32 Duty cycle
5. STN or FSTN Mode
6. Match all kind colors of LED back light
7. ROHS compliant

Interface Pin Connections

PIN NO.	Symbol	Function
1	V0	Power supply LCD
2	V1	
3	V2	
4	V3	
5	V4	
6	C2-	For voltage booster circuit. External capacitor about 0.47uF~2.2uF
7	C2+	
8	C1+	
9	C1-	
10	VOUT	DC/DC voltage converter
11	VSS	Digital ground
12	VDD	Digital power
13	SDA	Serial data input
14	SCL	Serial clock input
15	A0	Select registers. 0: instruction; 1: data register
16	RST	Hardware reset input pin
17	CS1B	Chip select input pin

Mechanical Data

Item	Standard	Unit
Module dimension	41.4 x 24.3	mm
Viewing area	36.0 x 12.0	mm
Dots pitch	0.25 x 0.25	mm
Dots size	0.23 x 0.23	mm

Absolute Maximum Rating

Item	Symbol	Standard			Unit
		Min	Typ	Max	
Power supply	VDD-VSS	-0.3	---	5.0	V
Input voltage	Vin	0.3	---	18.0	

Electronical Characteristics

Item	Symbol	Condition	Standard			Unit
			Min	Typ	Max	
Input voltage	VDD	+3.0V	1.8	3.0	3.3	V
Supply current	I _{DD}	VDD=3V	----	19	32	uA
Recommended LCD driving voltage for normal temp version module	V5-VDD (VDD=3V)	-20°C	6.2	----	----	V
		0°C	6.0	6.2	----	
		25°C	5.8	6.0	6.2	
		50°C	----	5.8	6.0	
70°C	----	----	5.8			
LED forward voltage	V _F	25°C	----	3.1	3.3	V
LED forward current	I _F	25°C Edge	----	30	40	mA