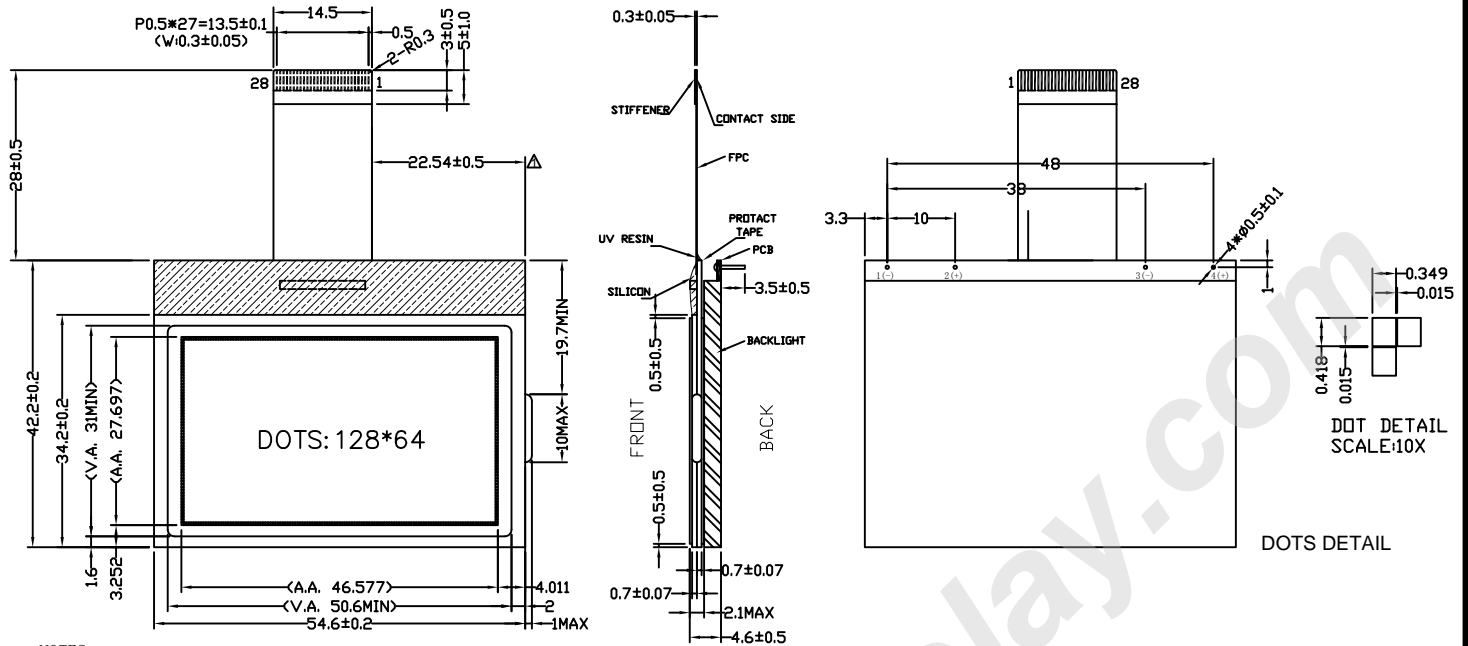


Dimension Drawing



Feature:

1. 128 x 64 dots graphic display
2. Built-in controller ST7565R
3. +3.3V power supply
4. 1/64 Duty cycle
5. STN or FSTN Mode
6. Match all kind colors of LED back light
7. ROHS compliant

Interface Pin Connections

PIN NO.	Symbol	PIN NO.	Symbol
1	P/S	15	VDD
2	C86	16	DB7(SI)
3	V4	17	DB6(SCL)
4	V3	18	DB5
5	V2	19	DB4
6	V1	20	DB3
7	V0	21	DB2
8	CAP2+	22	DB1
9	CAP2-	23	DB0
10	CAP1-	24	RD(E)
11	CAP1+	25	WR(R/W)
12	CAP3+	26	A0
13	VOUT	27	/CS1
14	VSS	28	RESETB

Mechanical Data

Item	Standard	Unit
Module dimension	54.6 x 42.2	mm
Viewing area	50.6 x 31.0	mm
Dots pitch	0.36 x 0.43	mm
Dots size	0.34 x 0.41	mm

Absolute Maximum Rating

Item	Symbol	Standard			Unit
		Min	Typ	Max	
Power supply	VDD-VSS	0.3	---	5.0	V
Input voltage	Vin	0.3	---	18.0	

Electronical Characteristics

Item	Symbol	Condition	Standard			Unit
			Min	Typ	Max	
Input voltage	VDD	+3.0V	1.8	3.0	3.3	V
Supply current	I _{DD}	VDD=3V	---	135	203	uA
Recommended LCD driving voltage for normal temp version module	V5-VDD (VDD=3V)	-20°C	10.3	---	---	V
		0°C	10.0	10.3	---	
		25°C	9.7	10.0	10.3	
		50°C	---	9.7	10.0	
		70°C	---	---	9.7	
LED forward voltage	V _F	25°C	---	3.1	3.3	V
LED forward current	I _F	25°C Edge	---	45	60	mA