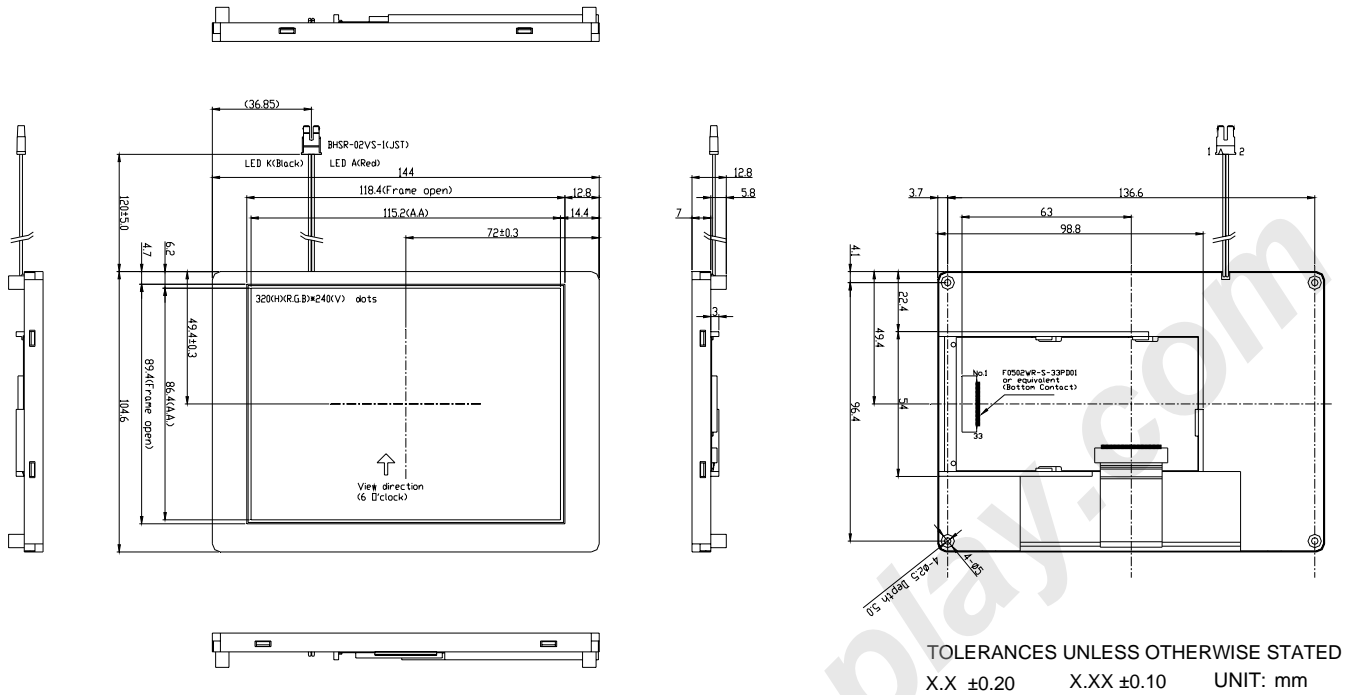


Dimension Drawing



Feature:

1. Resolution is 320 (RGB) x 240 Pixel
2. +3.3V power supply
3. Display Mode is TN, Normal White
4. Display color is 262K colors
5. Input Interface is Digital RGB
6. It could be matched resistive or capacitance touch panel
7. Sunlight readable ,High luminance Long life LED
8. ROHS compliant

Interface Pin Connections

PIN NO.	Symbol	PIN NO.	Symbol
1	DGND	18	G5
2	DCLK	19	GND
3	Hsync	20	B0
4	Vsync	21	B1
5	GND	22	B2
6	R0	23	B3
7	R1	24	B4
8	R2	25	B5
9	R3	26	GND
10	R4	27	DEN
11	R5	28	VCC
12	GND	29	VCC
13	G0	30	LRC
14	G1	31	UDC
15	G2	32	NC
16	G3	33	GND
17	G4		

Mechanical Data

Item	Standard	Unit
Module dimension	144.00 x 104.60 x 13.0	mm
Active area	115.20 x 86.40	mm
Dots pitch	0.36 x 0.36	mm
Screen size	5.7 (Diagonal)	inches

Absolute Maximum Rating

Item	Symbol	Standard			Unit
		Min	Typ	Max	
Power supply	Vcc	-0.3	---	5.0	V
Signal input voltage	R0-R5,G0-G5, B0-B5,DCLK,DE	-0.3	---	VDD+0.3	

Electronical Characteristics

Item	Symbol	Condition	Standard			Unit
			Min	Typ	Max	
Input voltage	VDDIO	+3.0V	3.0	3.3	3.6	V
Viewing angle	θL	9 o'clock	50	65	----	degree
	θR	3 o'clock	50	65	----	degree
	θU	12 o'clock	40	50	----	degree
	θD	6 o'clock	50	65	----	degree
Contrast ratio	CR	Best viewing angle	320	450	----	----
White luminance	ΔL	θ=Φ=0°	1000	1200	----	cd/m ²
LED forward voltage	VF	25 °C	----	9.6	10.0	V
LED forward current	IF	25 °C Edge	----	200	210	mA
Storage temp.	Top	----	-20	----	80	°C
Operation temp.	Tst	----	-30	----	90	°C