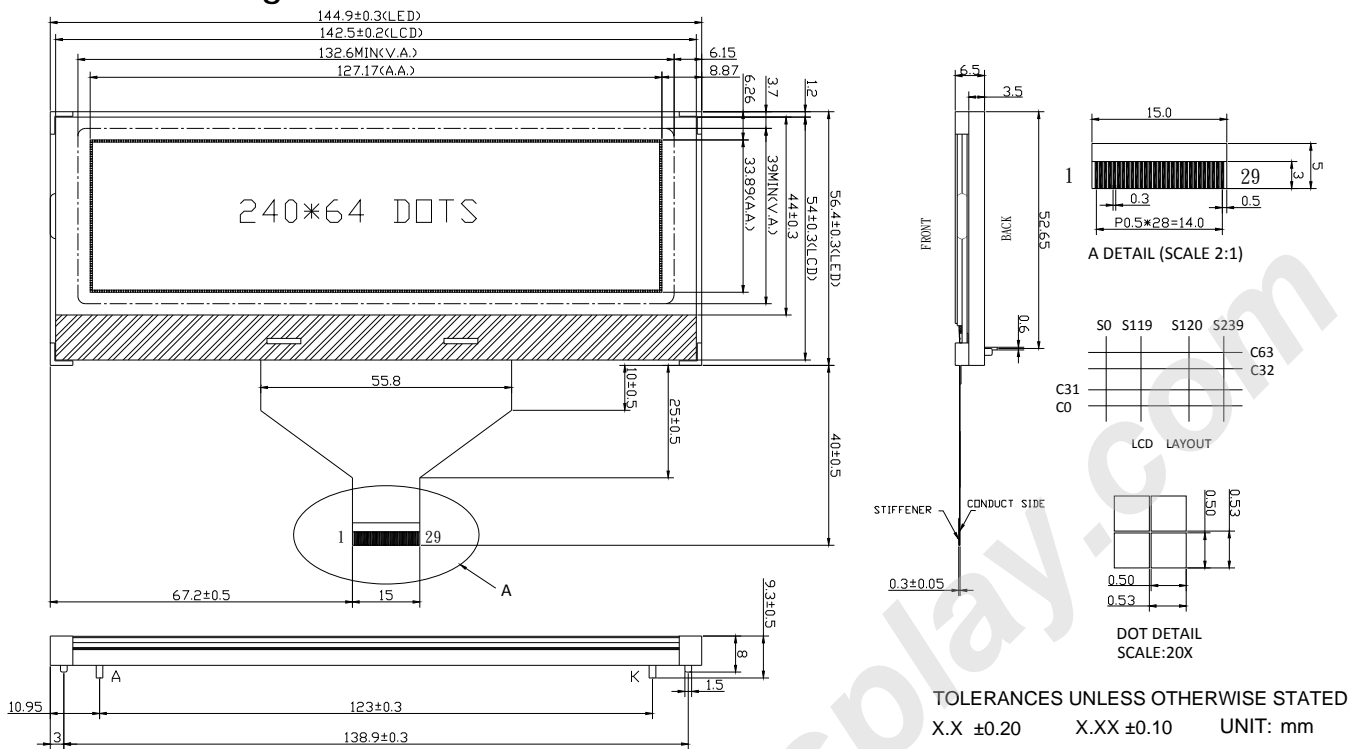


Dimension Drawing



Feature:

1. 240 x 64 dots graphic display
2. Built-in controller ST7565P x 2
3. +3.3V power supply
4. 1/64 Duty cycle
5. STN or FSTN Mode
6. Match all kind colors of LED back light
7. ROHS compliant

Interface Pin Connections

PIN NO.	Symbol	PIN NO.	Symbol
1	P/S	16	DB7(SI)
2	C86	17	DB6(SCL)
3	V0	18	DB5
4	V1	19	DB4
5	V2	20	DB3
6	V3	21	DB2
7	V4	22	DB1
8	CAP2-	23	DB0
9	CAP2+	24	RD(E)
10	CAP1+	25	WR(R/W)
11	CAP1-	26	A0
12	CAP3+	27	RESETB
13	VOUT	28	/CS1(M)
14	VSS	29	/CS1(S)
15	VDD		

Mechanical Data

Item	Standard	Unit
Module dimension	144.9 x 56.4	mm
Viewing area	132.6 x 39.0	mm
Dots pitch	0.53 x 0.53	mm
Dots size	0.50 x 0.50	mm

Absolute Maximum Rating

Item	Symbol	Standard			Unit
		Min	Typ	Max	
Power supply	VDD-VSS	-0.3	---	7.0	V
Input voltage	Vin	0.3	---	Vdd+0.3	

Electrical Characteristics

Item	Symbol	Condition	Standard			Unit
			Min	Typ	Max	
Input voltage	VDD	+3.0V	1.8	3.0	3.3	V
Supply current	I _{DD}	VDD=3V	----	135	200	uA
Recommended LCD driving voltage for normal temp version module	V5-VDD (VDD=3V)	-20°C	10.6	----	----	V
		0°C	10.3	10.6	----	
		25°C	10.0	10.3	10.6	
		50°C	----	10.0	10.3	
LED forward voltage	V _F	25°C	----	3.1	3.3	V
LED forward current	I _F	25°C Edge	----	220	400	mA